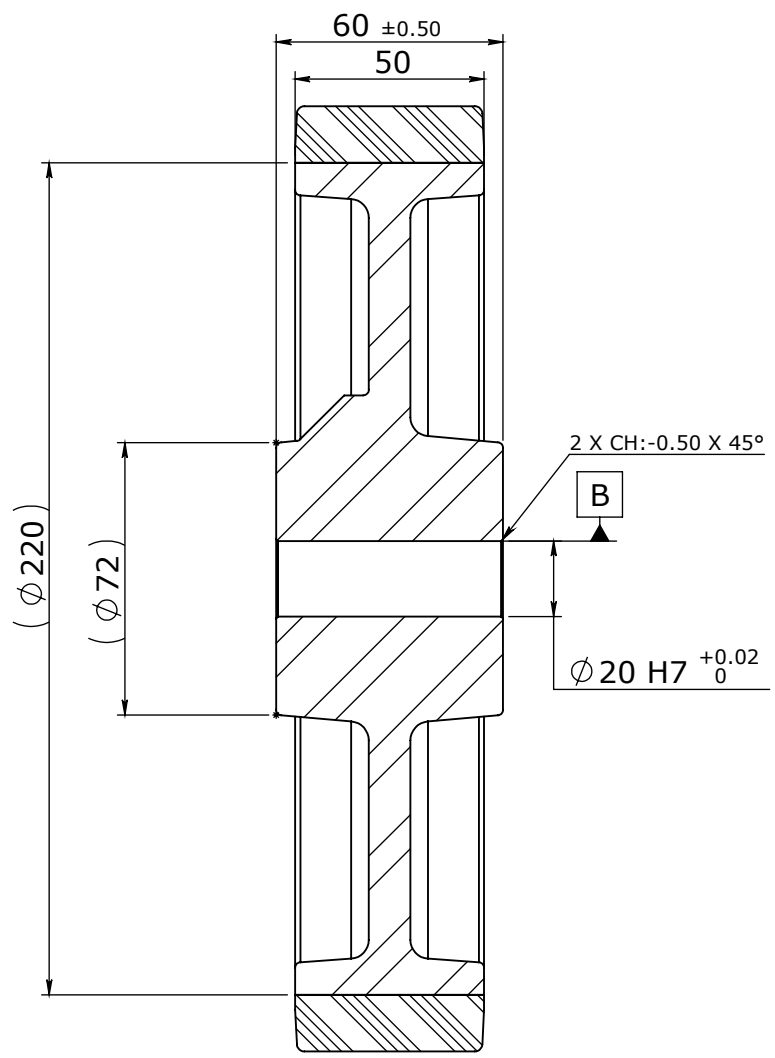


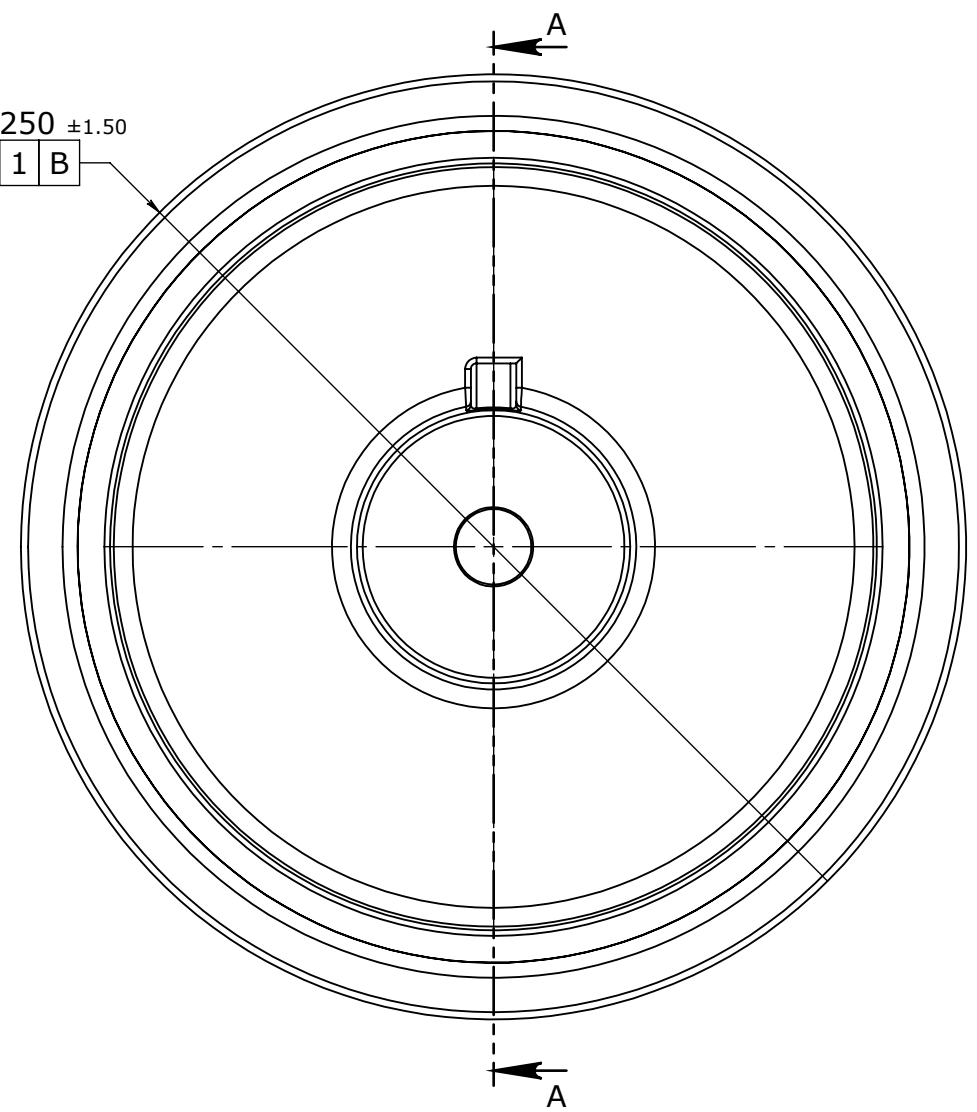
6 5 4 3 2 1

F  
E  
D  
C  
B  
A




**SECTION A-A**

φ 250 ± 1.50  
↑ 1 B



**NOTE:-**  
 UNSPECIFIED TOLERANCES:-ISO:2768 MEDIUM  
 ALL DIMENSIONS ARE IN MM  
 TREAD MATERIAL-CAST POLYURETHANE  
 HARDNESS:-SHORE A 93 +/- 3  
 COLOR:- BROWN  
 CORE:-CAST IRON  
 CORE FINISH:-BLACK PAINT

DATE:	29-10-2025				
MATERIAL:					
QUANTITY:		DGN BY:	CHK BY:	VRFY BY:	APD BY:
SCALE:	NTS	VSG	RB	OPS	CS
REVISION:	00				
SHEET:	1/1				
REF.NO					
	<b>ERP CODE</b>	<b>TITLE:</b>			
	1304594	<b>SAS-250X50-PB20</b>			

6 5 4 3 2 1