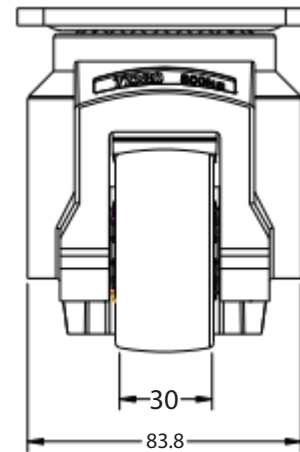
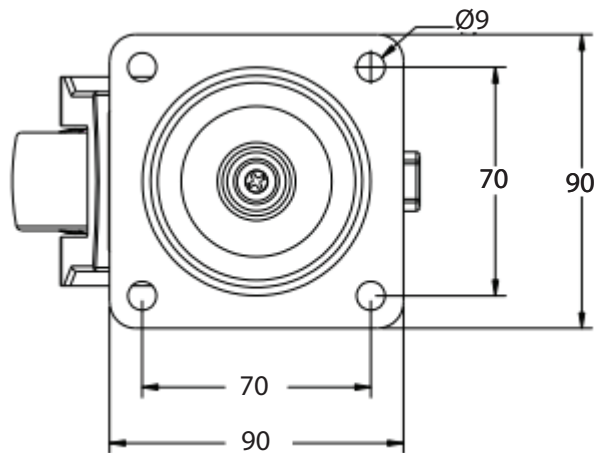
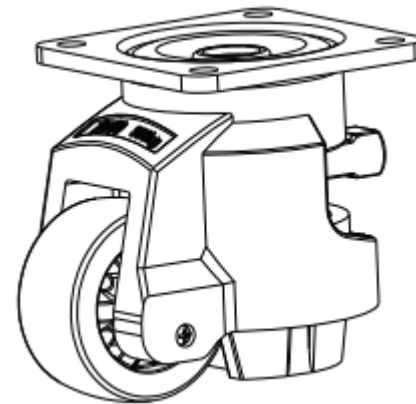
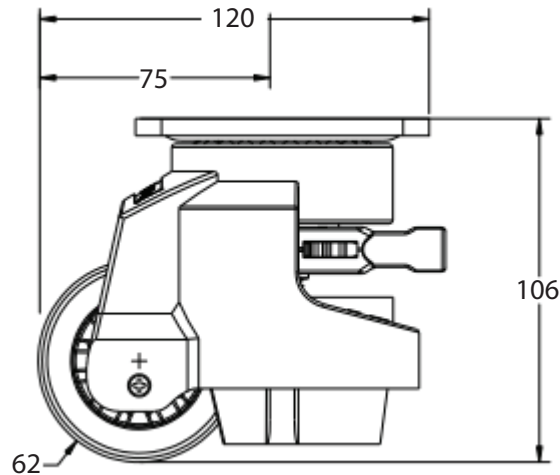


# LV62RWHT

Ø62mm (2½") Nylon Wheel / Plate Level Adjustment Castor  
HANDLE OPERATED



## SPECIFICATIONS:

- Wheel diameter: Ø62mm (2½")
- Wheel material: Nylon
- Tread width: 30.7mm
- Load capacity: 500kg
- Loading height: 106 + 12mm
- Bearing type: Plain bore
- Plate size: 90mm x 90mm x 5mm