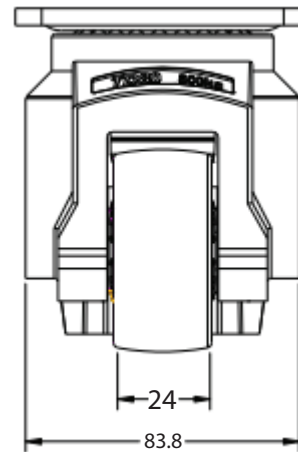
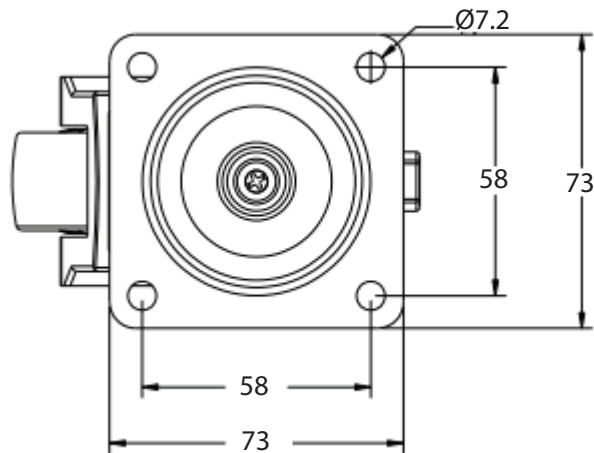
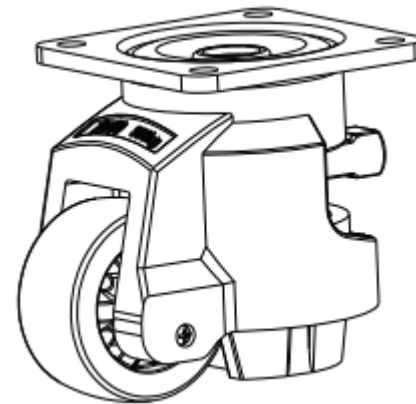
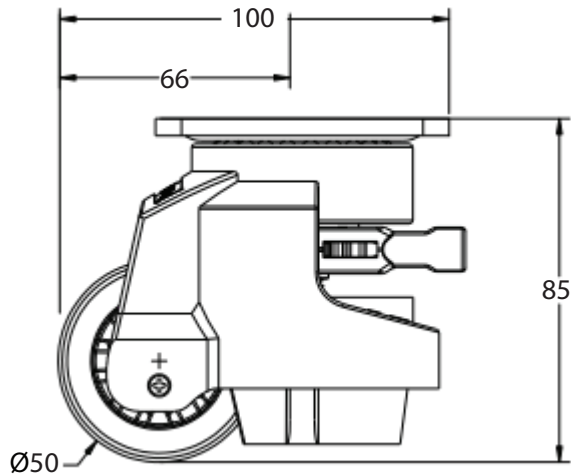


LV50RWHT

Ø50mm (2") Nylon Wheel / Plate Level Adjustment Castor
HANDLE OPERATED



SPECIFICATIONS:

- Wheel diameter: Ø50mm (2")
- Wheel material: Nylon
- Tread width: 24mm
- Load capacity: 250kg
- Loading height: 85 + 10mm
- Bearing type: Plain bore
- Plate size: 73mm x 73mm x 5mm